



TrayCheck

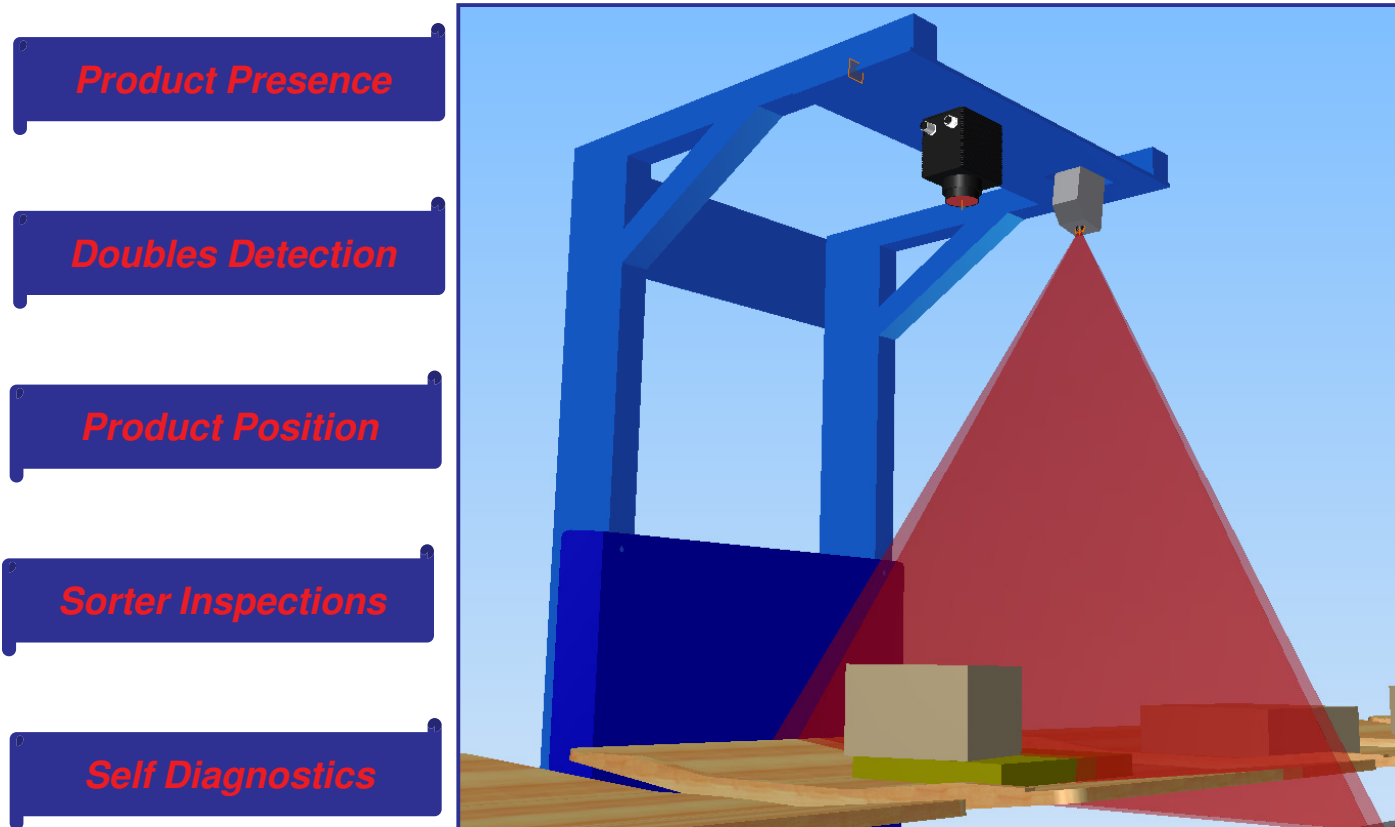
for Product Detection

: Rob Stone

: May 29, 2012

This document may contain confidential or privileged information. This document includes data that may not be duplicated, used, or disclosed, in whole or in part, without expressed permission of POSTIS. It is intended solely for the purpose of evaluating this technology presented by POSTIS. If you are not the intended recipient, this document should be destroyed and any disclosure, copying, use or distribution is prohibited.

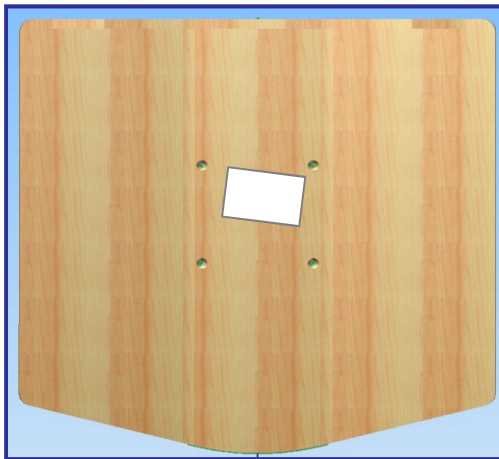
TrayCheck



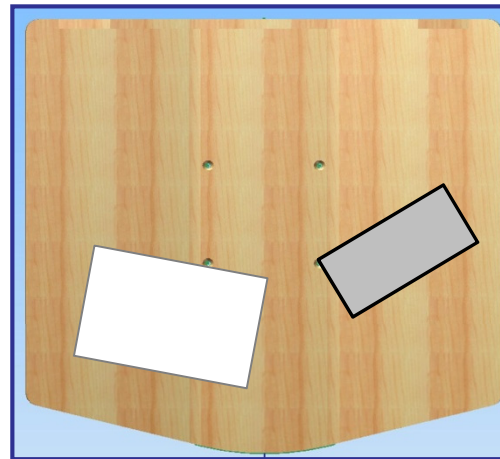
Elegantly simple, camera based system provides abundance of information that benefits sorter operations and maintenance

Extremely Low-Cost Vision System to Improve Logistics Automation Efficacy

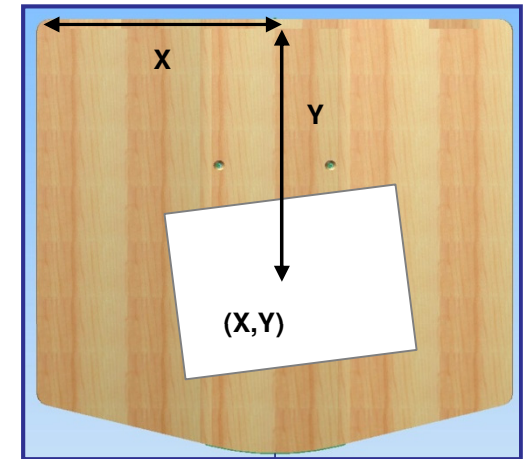
Detection Opportunities



Product Detect



Single / Double



Product Position

Applications



Tilt-Tray



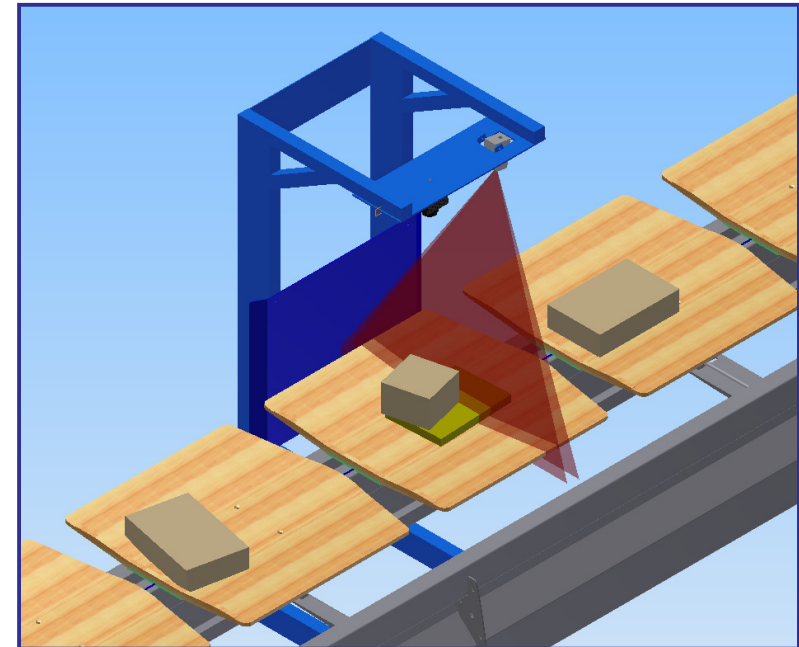
Cross-Belt



Conveyor Belt

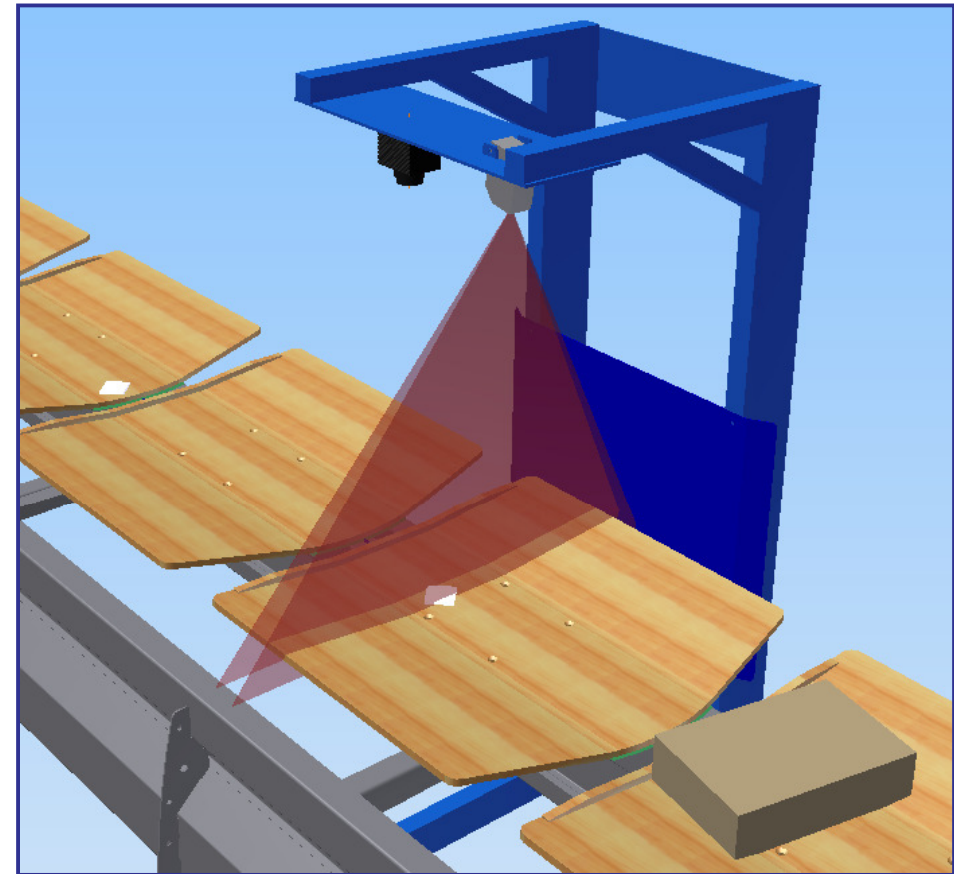
Operational Benefits

- Package detection – as small as 2” x 2” x 1/4”
- Performance not affected by:
 - Ambient light conditions – no shrouding required
 - Tilt Tray bounce
 - Tilt Tray Tray alignment
 - Labels on Tilt Tray Platter
 - Cross belt cell alignment
- Cantilever design allows operator access
- “Self-aligning” design – compensates and adjusts if jarred slightly out of position



Maintenance Benefits

- Automated Alignment Check
- Automated Maintenance Routine to inspect sorter alignments
 - Tilt Tray angle
 - Tray and cell pitch
 - Broken tray edges
 - Torn belts
- Simplex system architecture
 - Centrally connected
- Multiple, configurable outputs
- Reporting capability



Specifications

Sorter

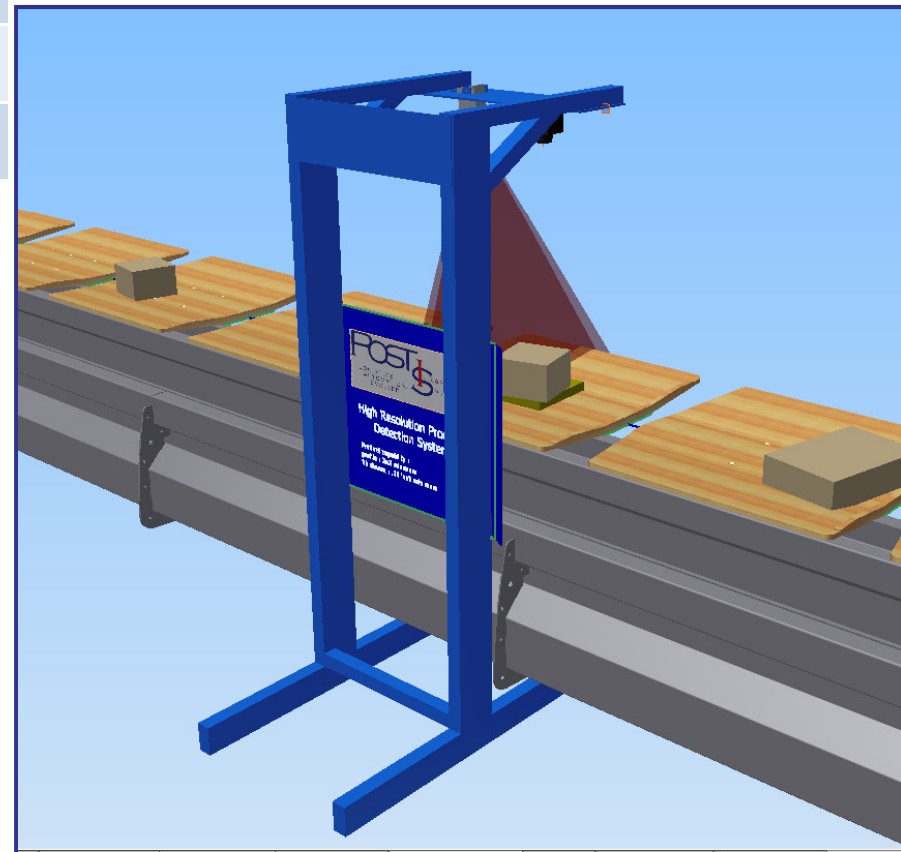
- Product Size

	Min	Max
Length	2"	Unlimited
Width	2"	32"
Height	0.25"	18"

- Max Sorter Speed – 2.2 m/sec

Systems

- Host Interface Options
 - TCP-IP
 - Serial
 - Digital I/O
- Power Source – 24VDC, 5A
- LED Illumination, Class 2





Thank you for your attention

This document may contain confidential or privileged information. This document includes data that may not be duplicated, used, or disclosed, in whole or in part, without expressed permission of POSTIS. It is intended solely for the purpose of evaluating this technology presented by POSTIS. If you are not the intended recipient, this document should be destroyed and any disclosure, copying, use or distribution is prohibited.